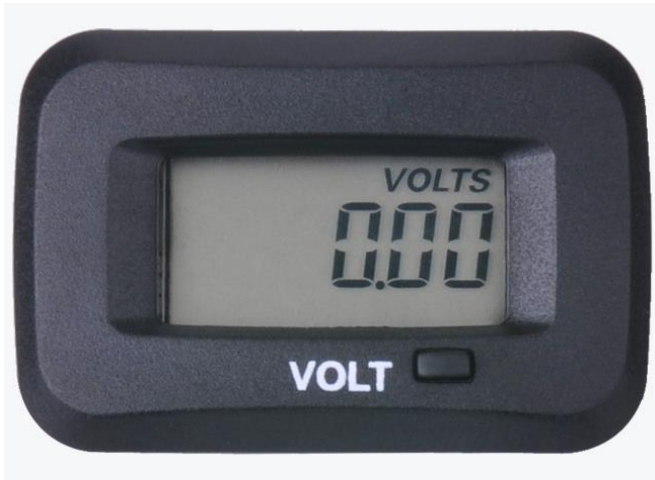


# Battery indicator



## SL-HM038V

LCD Volt meter for DC powered equipment such as fork lifts, golf carts, floor care equipment, and any other battery powered equipment.

### [PRODUCTS DESCRIPTION](#)

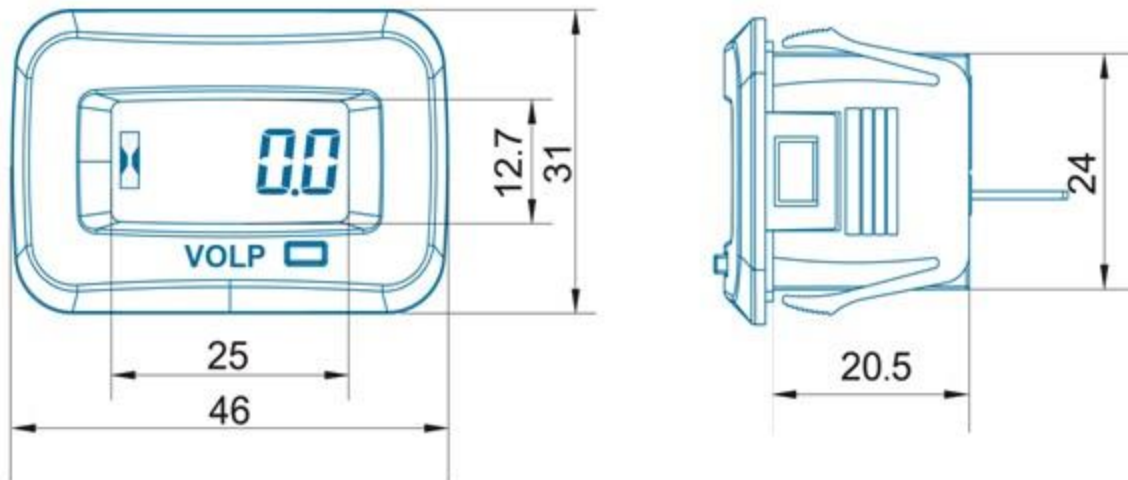
SL-HM038V Digital Voltmeter. It can work on any battery. It has a powerful voltage system as well as some other unique function design.

**Voltage Measuring System Including:** measuring voltage current battery, **overvoltage and undervoltage reminder** etc.

**Unique Design Including:** easy installed, CR2032 battery+external power, data stored automatically, waterproof Rate IP68, etc.

SPECIFICATIONS

Product Model	SL-HM038V
Product Size	46mmx31mmx37mm
Display Screen	LCD
Screen Size	25mm x 12.7mm
Button Type	Touch Switch
Induction Wire Type	UL1007 22AWG
Refresh Rate	input voltage <6V 10S input voltage ≥6V 1S
Volt Range	5-65V
Housing Material	ABS
Package	White box
Packing Size	70mmx70mmx45mm
N.W.	57g
Waterproof Rate	IP68
Induction Wire	1.2m
Battery Specification	CR2032 210mAH



# Digital Voltmeter

SV-HM038V



High/low voltage



Voltage



REFRESH



waterproof

## Digital voltmeter

### 3 Voltage system

- v voltage
- v overvoltage
- v undervoltage

etc

### 4 Unique Design

- Internal Battery + external power
- Data storage
- Waterproof

etc

# Voltage real-time display

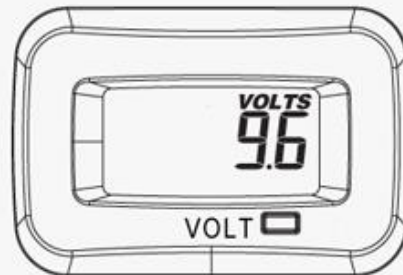
Real-time voltage display

Voltage Range:DC5-65V

**Refresh rate:** input voltage < 6V, 10S.  
input voltage  $\geq$ 6V, 1S.

**Voltage Measuring Accuracy:** <  $\pm 0.5\%$

**Voltage Display Accuracy:** 0.01V

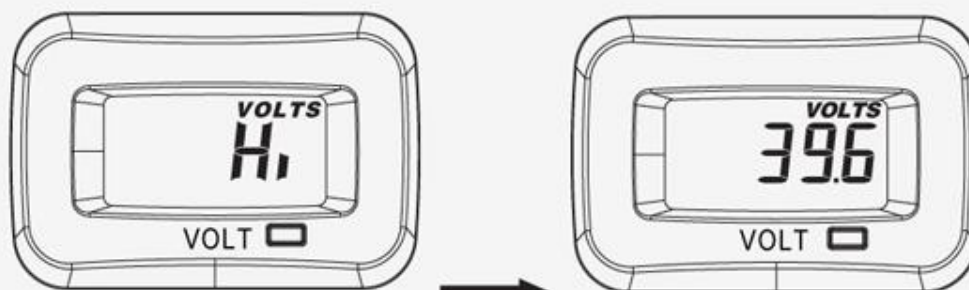


# Overvoltage reminder

**Overvoltage data can be set by user to know and protect the battery.**

When the voltage data is larger than set data, "Hi" and voltage will display alternately.

When the value be set to 0, it means close this function.



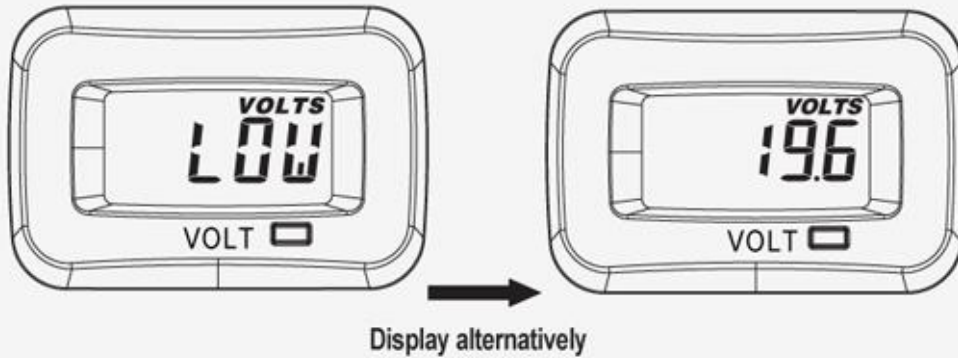
Display alternately

# Undervoltage reminder

**Overvoltage data can be set by user to know and protect the battery.**

When the voltage data is smaller than set data, "Lo" and voltage will display alternately.

When the value be set to 0, it means close this function.



## Unique Design

Internal & external power makes the meter's lifetime longer

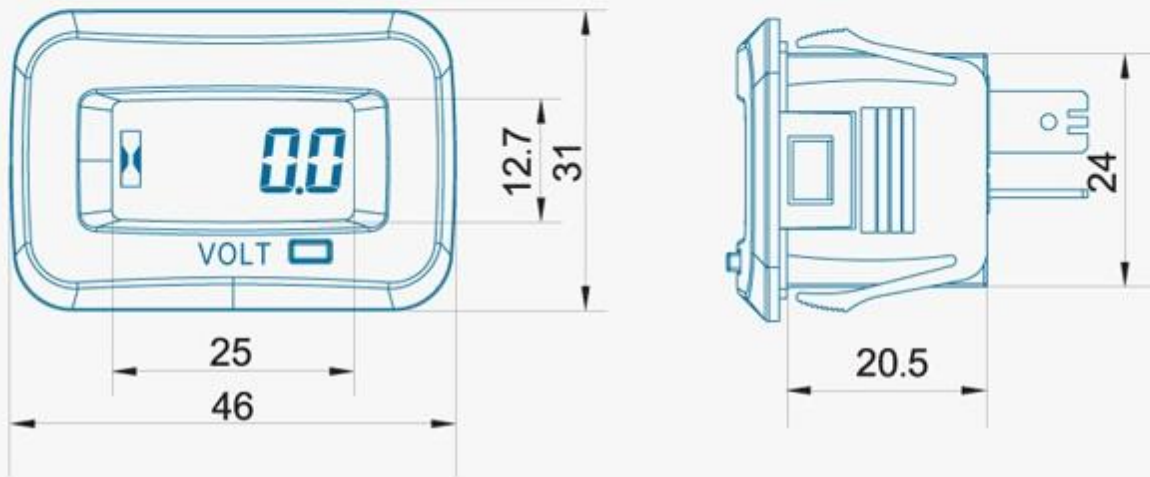
Internal Battery : CR2032, 210mAH non-replaceable

External Power : DC5-65V



# Dimensional Drawing

white box packing, More safe transportation.



## Specifications

		Screen Size	25mmx12.7mm	Package	White Box
Product Name	Digital Voltmeter	Button Type	Touch Switch	Packing Size	70mm*70mm*45mm
Item Number	SL-HM038V	Induction Wire Type	UL1007 22AWG	N.W.	65g
		Refresh Rate	input voltage <6V 10s input voltage >6V 1s	Waterproof Rate	IP68
Product Size	46mmx31mmx37mm	Volt Range	5-65V	Induction Wire	1.2m
Display Screen	LCD	Housing Material	ABS	Battery Specification	CR2032 210mAH